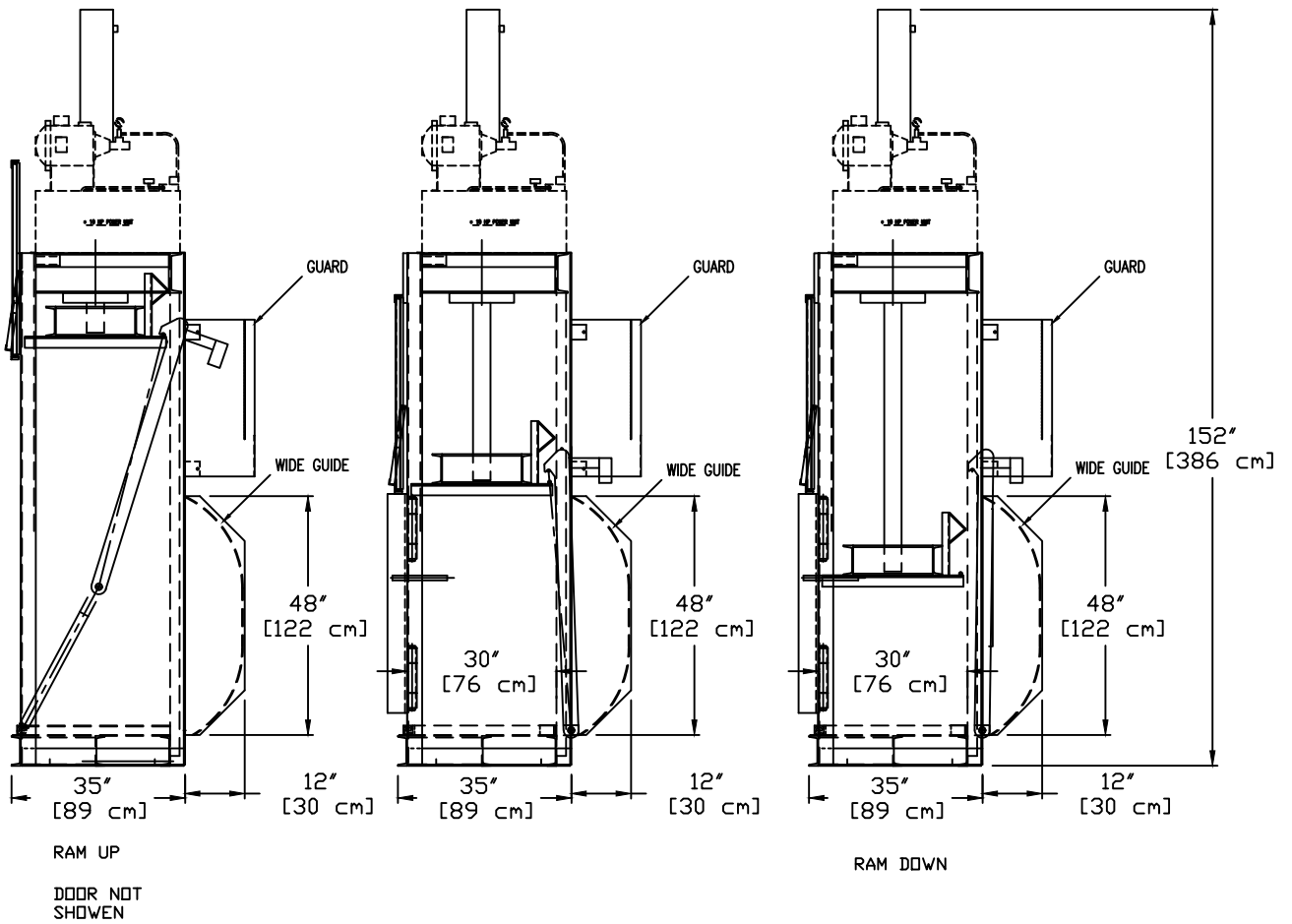
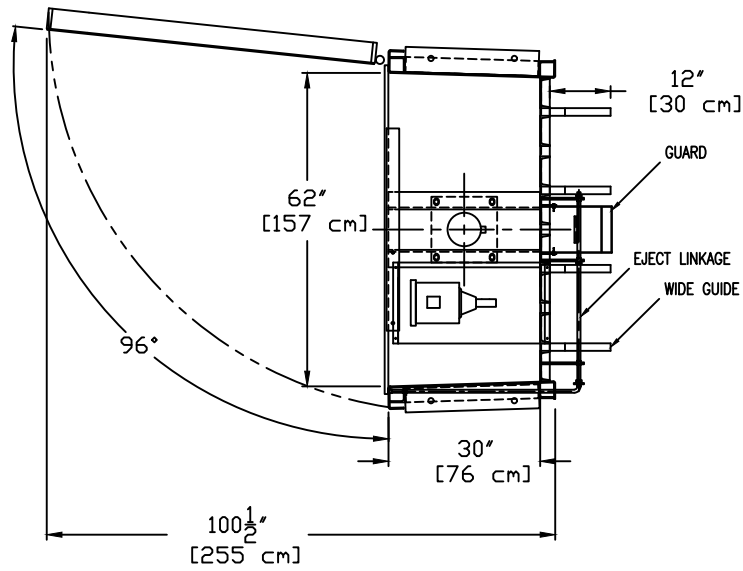


PTR BALER & COMPACTOR



BP 6-10-11
SHT 3 OF 3