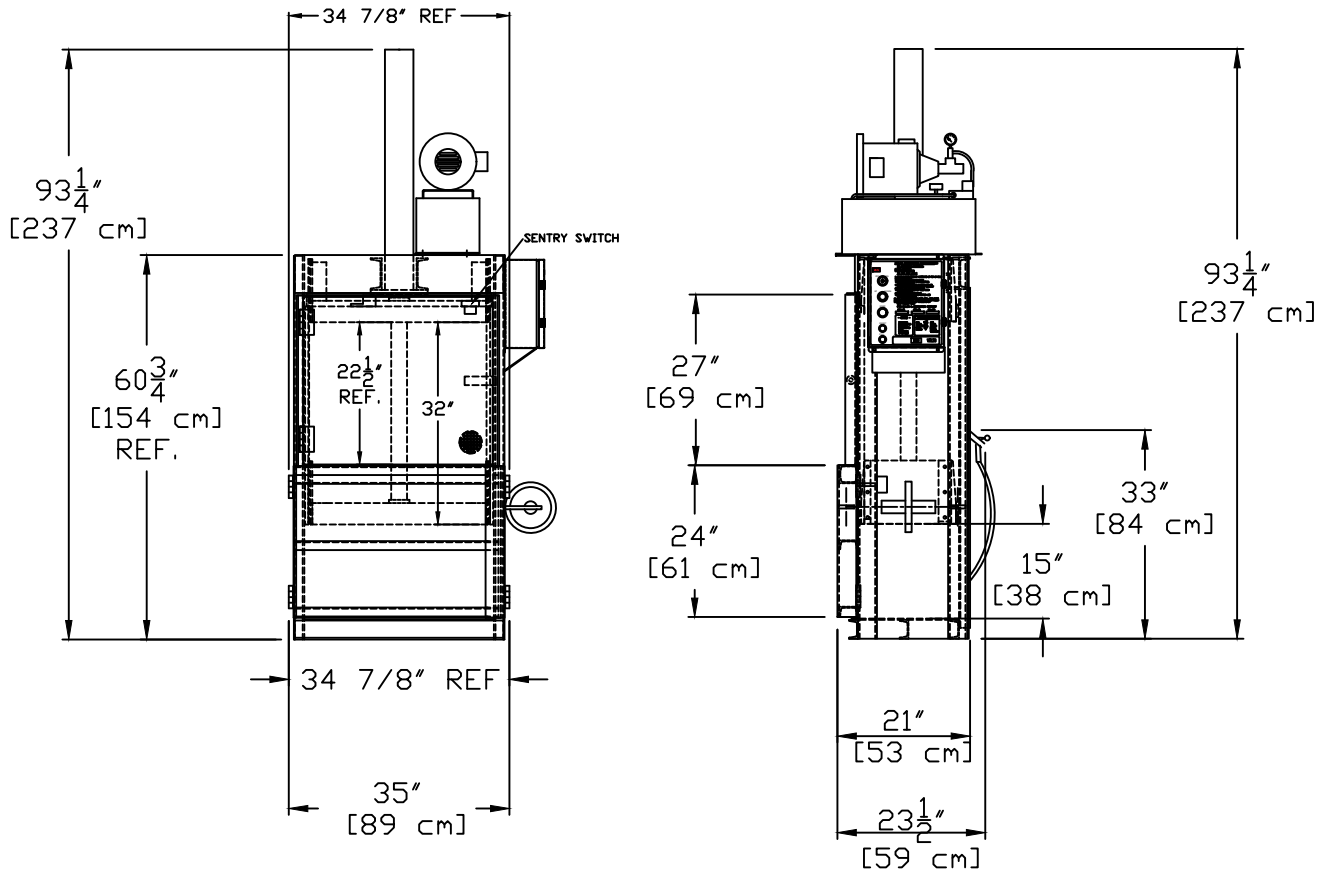


# PTR BALER & COMPACTOR



CONTROL BOX  
SCALE = 2X

ALL DIMENSION AND SPECIFICATIONS ARE FOR REFERENCE ONLY, ACTUAL DIMENSIONS AND PERFORMANCE CHARACTERISTICS MAY VARY.

## SPECIFICATIONS

BALE WEIGHT	_____	50 - 150 LBS OCC [23 - 68 Kg]
BALE SIZE	_____	30" WIDE X 16" DEEP X 24" TALL [76 X 41 X 61 CM]
FEED OPENING	_____	29" X 27" [74 X 69 CM]
PLATEN FORCE		
WORKING	_____	20,100 LBS [89,400 N]
RELIEF	_____	23,870 LBS [106,179 N]
SYSTEM PRESSURE		
WORKING	_____	1,600 PSI [11,000 KPa]
RELIEF	_____	1,900 PSI [13,100 KPa]
RAM PRESSURE		
NOM	_____	42.6 PSI [194 KPa]
MAX	_____	50.6 PSI [349 KPa]
AVERAGE CYCLE TIME	_____	39 SEC.
CYLINDER BORE	_____	4" [10 cm]
CYLINDER STROKE	_____	32" [81 cm]
CYLINDER ROD	_____	2 1/2" [6 cm]
MOTOR	_____	3 HP ( 208/230/460V-3 PHASE ) [2.2 Kw]
PUMP	_____	3.2 GPM [12.1 L/m]
SHIP WEIGHT	_____	1,155 LBS [524 Kg]

BP 4-5-11  
SHT 2 OF 2

TITLE: 316 BALER SPECIFICATION

DWG. NO: AB4027994