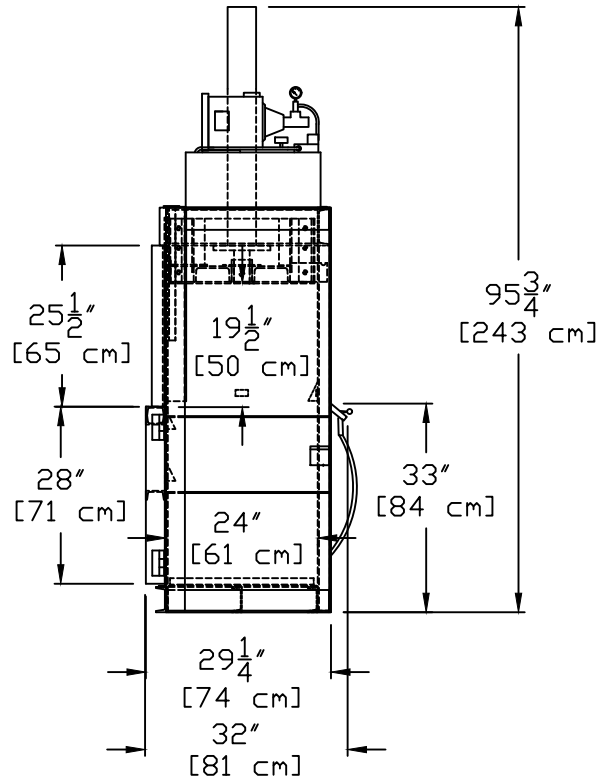
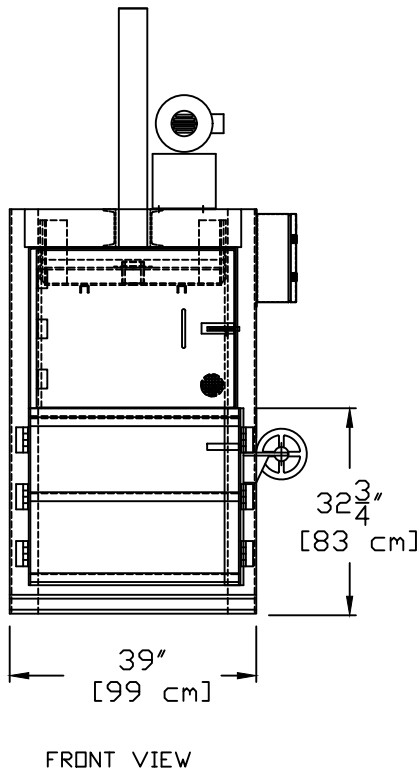


PTR BALER & COMPACTOR



CONTROL BOX
SCALE = 2X

ALL DIMENSION AND SPECIFICATIONS ARE FOR REFERENCE ONLY, ACTUAL DIMENSIONS AND PERFORMANCE CHARACTERISTICS MAY VARY.

SPECIFICATIONS

BALE WEIGHT	_____	70 - 325 LBS OCC [32 - 147 Kg]
BALE SIZE	_____	29" WIDE X 24" DEEP X 30" TALL [74 X 65 X 76 CM]
FEED OPENING	_____	29" X 25 1/2" [74 X 65 CM]
PLATEN FORCE		
WORKING	_____	20,100 LBS [89,400 N]
RELIEF	_____	23,870 LBS [106,179 N]
SYSTEM PRESSURE		
WORKING	_____	1,600 PSI [11,000 KPa]
RELIEF	_____	1,900 PSI [13,100 KPa]
RAM PRESSURE		
NOM	_____	28.4 PSI [196 KPa]
MAX	_____	33.7 PSI [232 KPa]
AVERAGE CYCLE TIME	_____	39 SEC.
CYLINDER BORE	_____	4" [10 cm]
CYLINDER STROKE	_____	32" [81 cm]
CYLINDER ROD	_____	2 1/2" [6 cm]
MOTOR	_____	3 HP (208/230/460V-3 PHASE) [2.2 Kw]
PUMP	_____	3.2 GPM [12.1 L/m]
SHIP WEIGHT	_____	1325 LBS [600 Kg]

BP 4-5-11
SHT 2 OF 2

TITLE: 324HD BALER SPECIFICATION

DWG. NO: AB404617R3