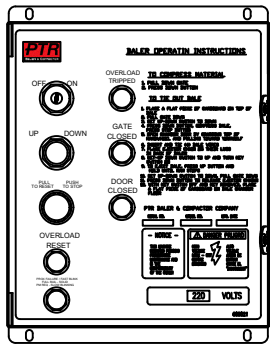
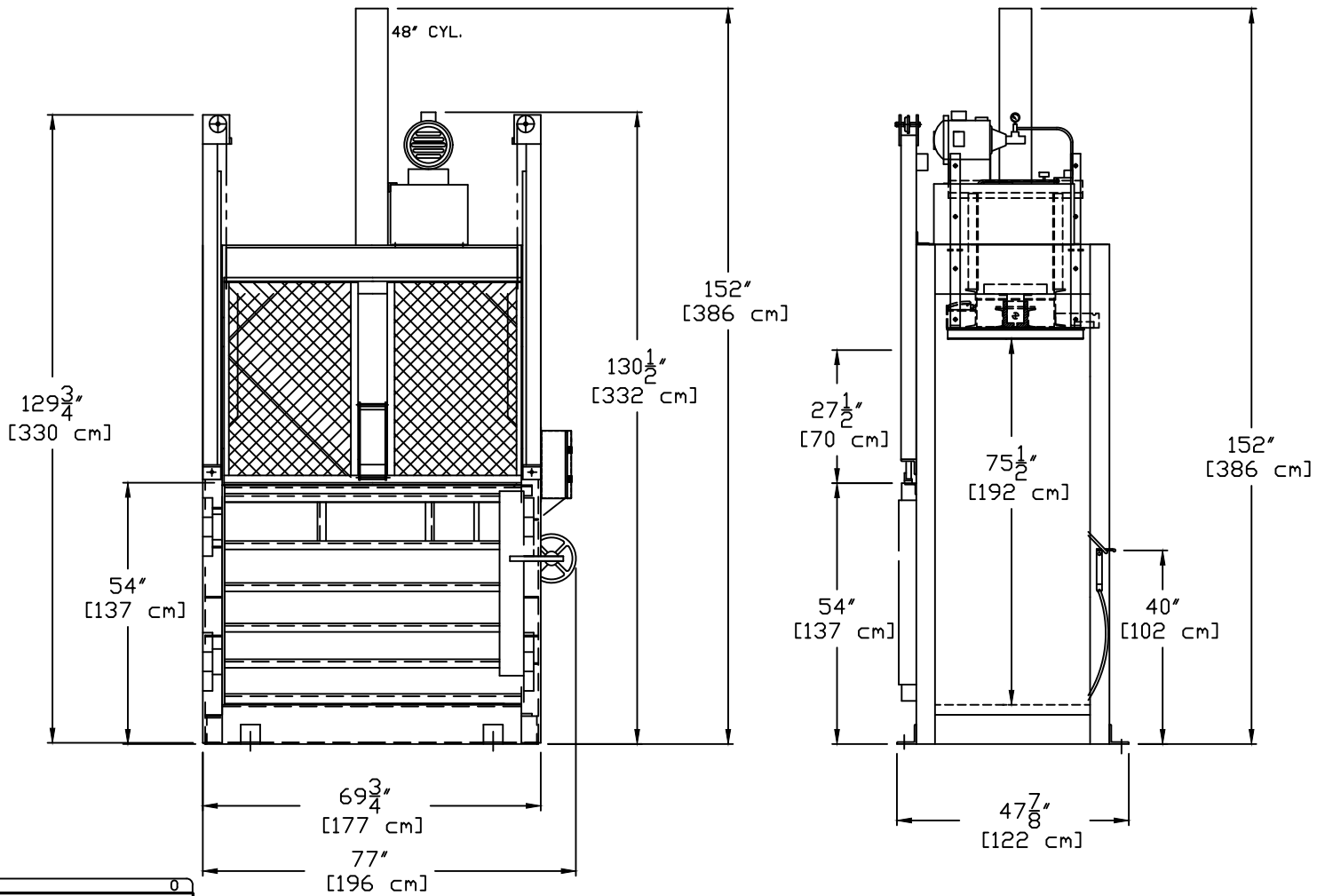


PTR BALER & COMPACTOR



ALL DIMENSION AND SPECIFICATIONS ARE FOR REFERENCE ONLY, ACTUAL DIMENSIONS AND PERFORMANCE CHARACTERISTICS MAY VARY.

SPECIFICATIONS

BALE WEIGHT	1,000 - 1,300 LBS OCC	[454- 490Kg]
BALE SIZE	60" WIDE X 30" DEEP X 48" TALL	[152 X 75 X 1122 cm]
FEED OPENING	60" X 27 1/2"	[152 X 70 cm]
PLATEN FORCE		
WORKING	67,858 LBS	[301,847 N]
RELIEF	76,340 LBS	[339,577 N]
SYSTEM PRESSURE		
WORKING	2,400 PSI	[16,547 KPa]
RELIEF	2,700 PSI	[18,616 KPa]
RAM PRESSURE		
NOM	37.0 PSI	[255 KPa]
MAX	41.7 PSI	[288 KPa]
AVERAGE CYCLE TIME	56 SEC.	
CYLINDER BORE	6"	[15.24 cm]
CYLINDER STROKE	48"	[122 cm]
CYLINDER ROD	3 1/2"	[8.9 cm]
MOTOR	10 HP (208/230/460V-3 PHASE)	[7.45 Kw]
PUMP	10.5 GPM	[39.75 L/m]
SHIP WEIGHT	5,400 LBS	[2,449 Kg]

DH 8-19-14
BP 3-16-12
SHT 2 OF 2