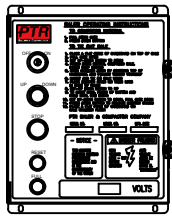
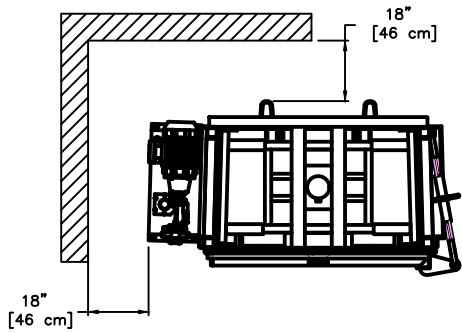


TITLE:

3600HDLP BALER

DWG. NO: AB403041R1

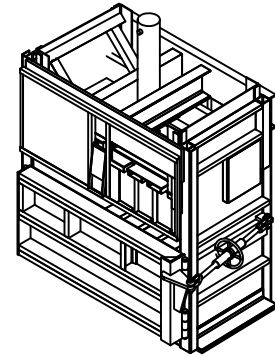


CONTROL BOX
SCALE = 4X

ALL DIMENSION AND SPECIFICATIONS ARE FOR REFERENCE ONLY, ACTUAL DIMENSIONS AND PERFORMANCE CHARACTERISTICS MAY VARY.

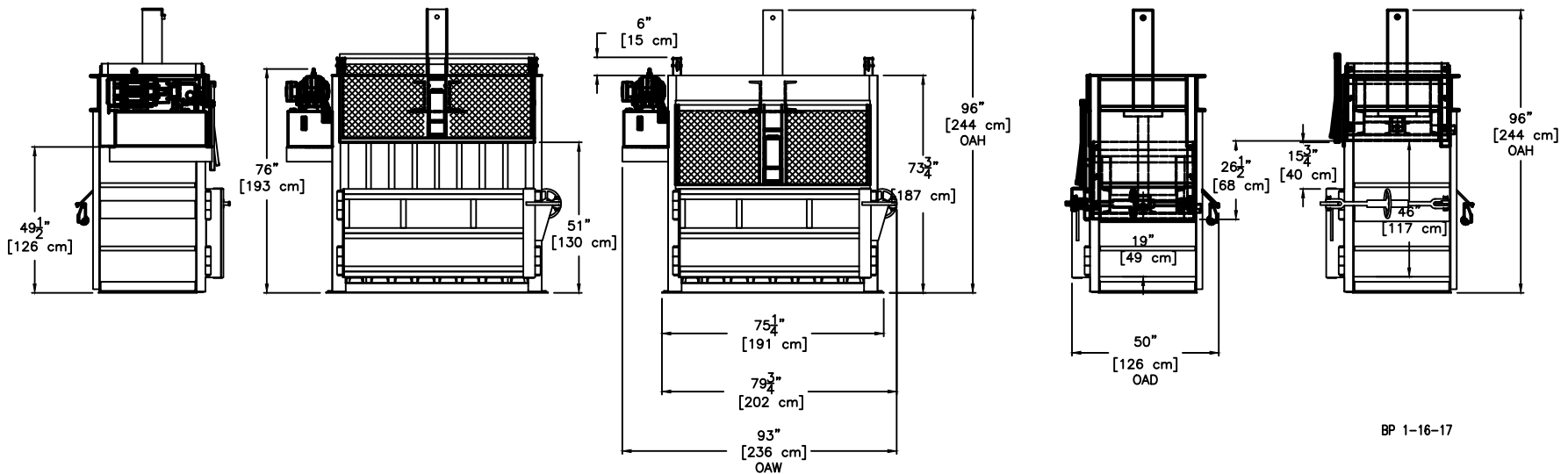
SPECIFICATIONS

BALE WEIGHT	_____	600 - 800 LBS OCC	[272- 363 Kg]
BALE SIZE	_____	60" WIDE X 36" DEEP X 30" TALL	[152 X 91 X 76 cm]
FEED OPENING	_____	60" X 15 3/4"	[152 X 40 cm]
PLATEN FORCE	_____		
WORKING	_____	67,858 LBS	[301,847 N]
RELIEF	_____	76,341 LBS	[339,582 N]
SYSTEM PRESSURE	_____		
WORKING	_____	2,400 PSI	[16,547 KPa]
RELIEF	_____	2,700 PSI	[18,616 KPa]
RAM PRESSURE	_____		
NOM	_____	32.7 PSI	[225 KPa]
MAX	_____	36.7 PSI	[253 KPa]
AVERAGE CYCLE TIME	_____	32 SEC.	
CYLINDER BORE	_____	6"	[15.24 cm]
CYLINDER STROKE	_____	27"	[69 cm]
CYLINDER ROD	_____	3 1/2"	[9 cm]
MOTOR	_____	10 HP (208/230/460V-3 PHASE)	[7.45 Kw]
PUMP	_____	10.5 GPM	[39.75 L/m]
SHIP WEIGHT	_____	4,720 LBS	[2,141 Kg]



ISOMETRIC VIEW
NO POWER UNIT

ALL DIMENSION AND SPECIFICATIONS ARE FOR REFERENCE ONLY, ACTUAL DIMENSIONS AND PERFORMANCE CHARACTERISTICS MAY VARY.



PTR BALER & COMPACTOR