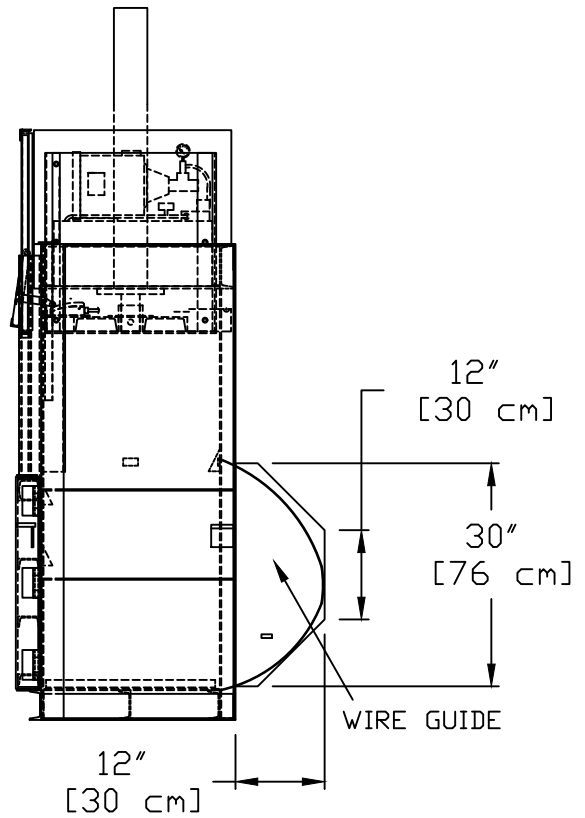
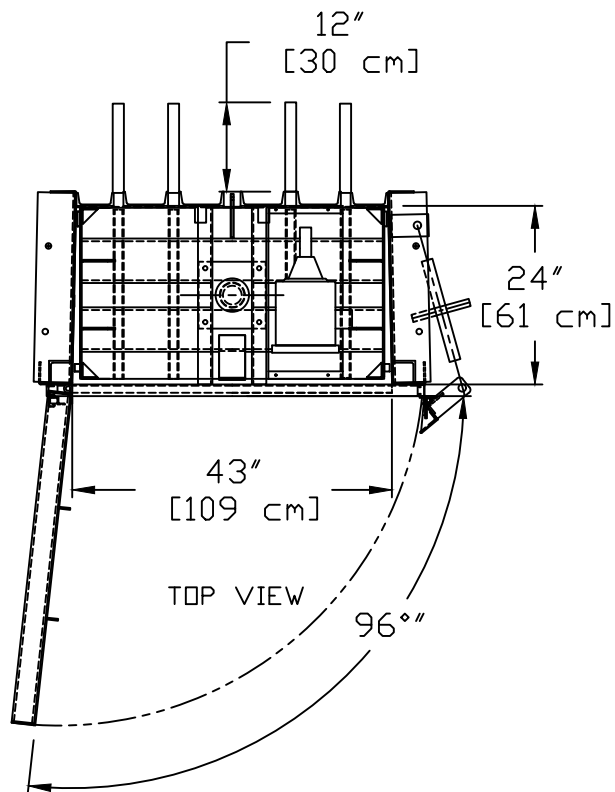


PTR BALER & COMPACTOR



SHT 3 OF 3

BP 9-23-13