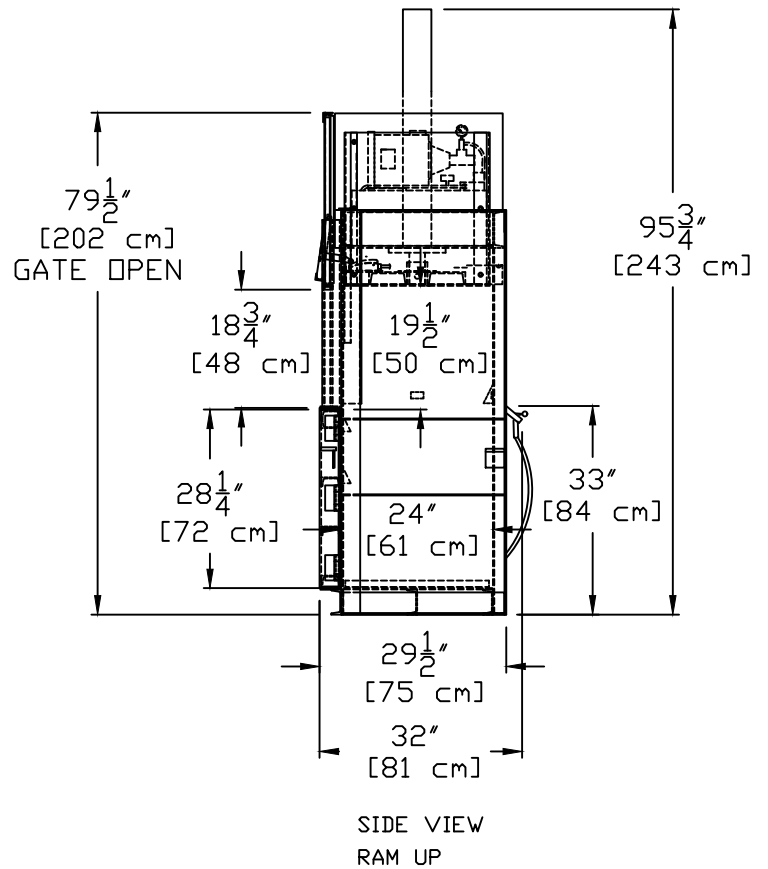
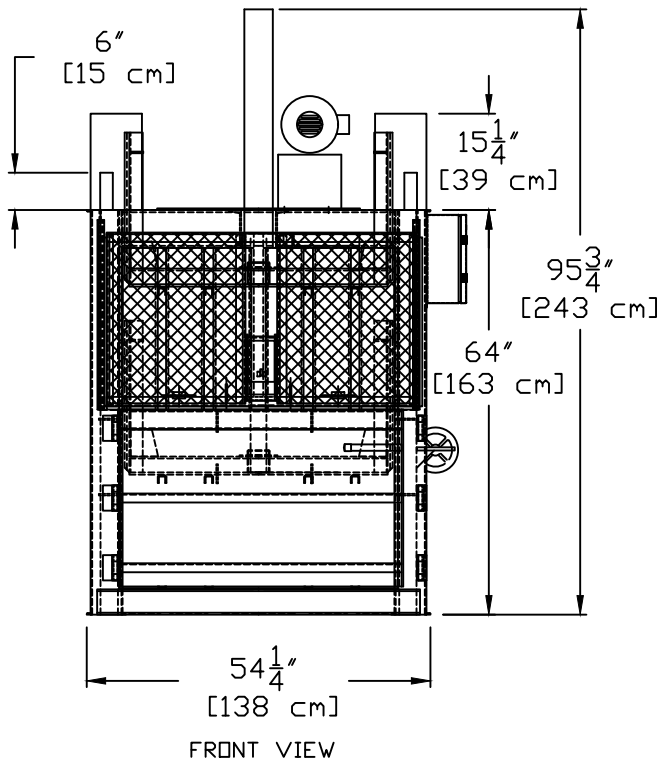


# PTR BALER & COMPACTOR



CONTROL BOX  
SCALE = 2X

ALL DIMENSION AND SPECIFICATIONS ARE FOR REFERENCE ONLY, ACTUAL DIMENSIONS AND PERFORMANCE CHARACTERISTICS MAY VARY.

## SPECIFICATIONS

BALE WEIGHT	_____	200 - 400 LBS OCC	[90 - 180 Kg]
BALE SIZE	_____	42" WIDE X 24" DEEP X 30" TALL	[107 X 61 X 76 cm]
FEED OPENING	_____	42" X 18 3/4"	[107 X 48 cm]
PLATEN FORCE			
WORKING	_____	20,100 LBS	[89,400 N]
RELIEF	_____	23,870 LBS	[106,179 N]
SYSTEM PRESSURE			
WORKING	_____	1,600 PSI	[11,000 KPa]
RELIEF	_____	1,900 PSI	[13,100 KPa]
RAM PRESSURE			
NOM	_____	19.7 PSI	[136 KPa]
MAX	_____	23.4 PSI	[161 KPa]
AVERAGE CYCLE TIME	_____	53 SEC.	
CYLINDER BORE	_____	4"	[10 cm]
CYLINDER STROKE	_____	32"	[81 cm]
CYLINDER ROD	_____	2 1/2"	[6 cm]
MOTOR	_____	3 HP ( 208/230/460V-3 PHASE )	[2.2 Kw]
PUMP	_____	3.2 GPM	[12.1 L/m]
SHIP WEIGHT	_____	1440 LBS	[650 Kg]

BP 4-5-11  
SHT 2 OF 3

TITLE: 420HD BALER SPECIFICATION

DWG. NCAB404615R34