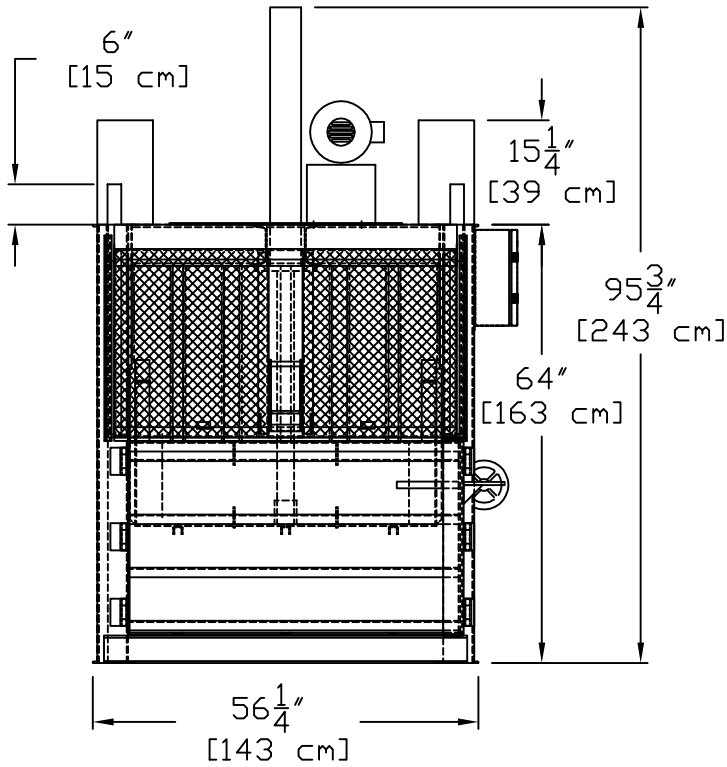
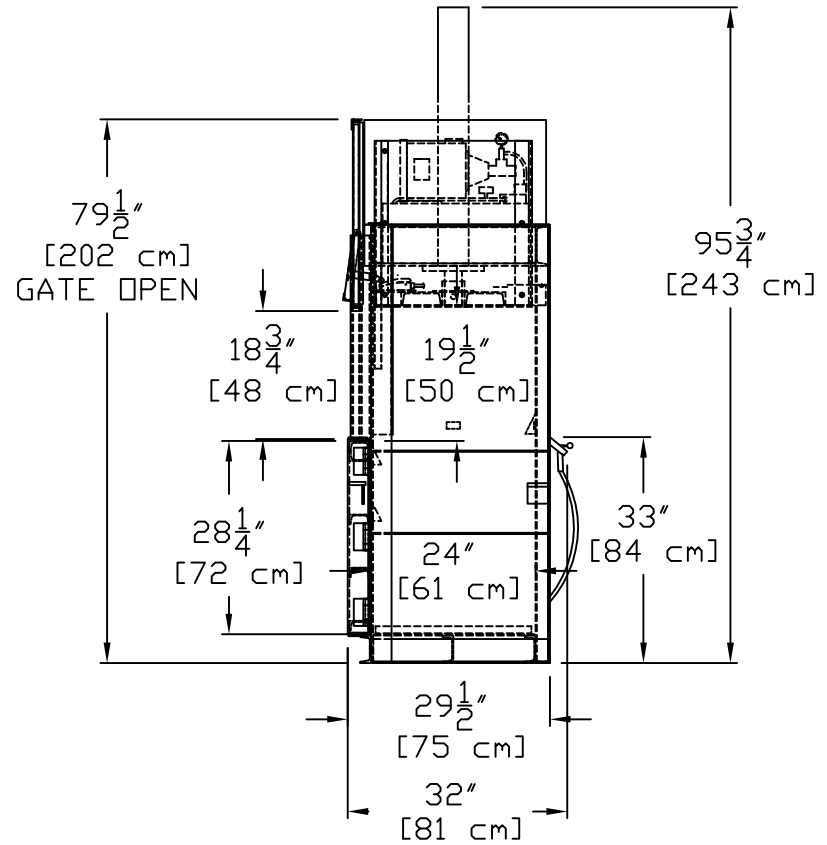


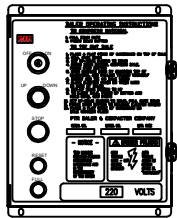
# PTR BALER & COMPACTOR



FRONT VIEW



SIDE VIEW  
RAM UP



CONTROL BOX  
SCALE = 2X

ALL DIMENSION AND SPECIFICATIONS ARE FOR REFERENCE ONLY, ACTUAL DIMENSIONS AND PERFORMANCE CHARACTERISTICS MAY VARY.

## SPECIFICATIONS

BALE WEIGHT	_____	350 - 500 LBS OCC	[160 - 225 Kg]
BALE SIZE	_____	46" WIDE X 24" DEEP X 30" TALL	[117 X 61 X 76 cm]
FEED OPENING	_____	46" X 18 3/4"	[117 X 48 cm]
PLATEN FORCE			
WORKING	_____	30,780 LBS	[136,900 N]
RELIEF	_____	34,500 LBS	[153,700 N]
SYSTEM PRESSURE			
WORKING	_____	2,450 PSI	[16,900 KPa]
RELIEF	_____	2,750 PSI	[19,000 KPa]
RAM PRESSURE			
NOM	_____	28.2 PSI	[194 KPa]
MAX	_____	31.6 PSI	[218 KPa]
AVERAGE CYCLE TIME	_____	53 SEC.	
CYLINDER BORE	_____	4"	[10 cm]
CYLINDER STROKE	_____	32"	[81 cm]
CYLINDER ROD	_____	2 1/2"	[6 cm]
MOTOR	_____	3 HP ( 208/230/460V-3 PHASE )	[2.2 Kw]
PUMP	_____	3.2 GPM	[12.1 L/m]
SHIP WEIGHT	_____	1,950 LBS	[885 Kg]