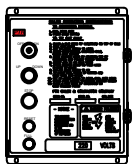
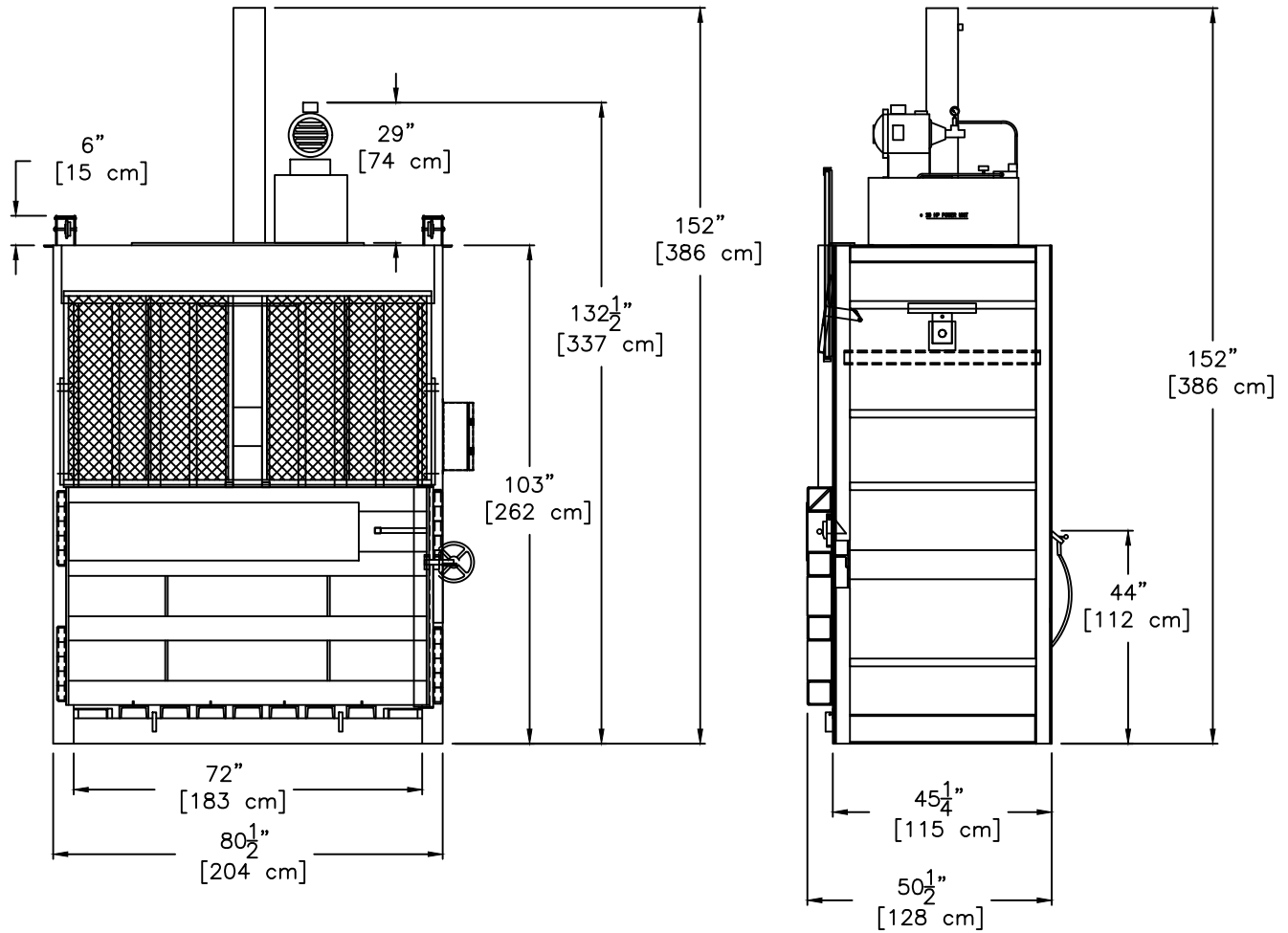


PTR BALER & COMPACTOR



CONTROL BOX
SCALE = 2X

ALL DIMENSION AND SPECIFICATIONS ARE FOR REFERENCE ONLY, ACTUAL DIMENSIONS AND PERFORMANCE CHARACTERISTICS MAY VARY.

SPECIFICATIONS

| | | |
|--------------------|-------|---|
| BALE WEIGHT | _____ | 1,200 - 1,600 LBS OCC [544 - 726 Kg] |
| BALE SIZE | _____ | 72" WIDE X 42" DEEP X 48" TALL [183 X 107 X 122 cm] |
| FEED OPENING | _____ | 72" X 28" [183 X 71 cm] |
| PLATEN FORCE | | |
| WORKING | _____ | 100,041 LBS [445,005 N] |
| RELIEF | _____ | 111,584 LBS [496350 N] |
| SYSTEM PRESSURE | | |
| WORKING | _____ | 2,600 PSI [17,926 KPa] |
| RELIEF | _____ | 2,900 PSI [19,995 KPa] |
| RAM PRESSURE | | |
| NOM | _____ | 33.5 PSI [231 KPa] |
| MAX | _____ | 37.4 PSI [258 KPa] |
| AVERAGE CYCLE TIME | _____ | 54 SEC. |
| CYLINDER BORE | _____ | 7" [17.78 cm] |
| CYLINDER STROKE | _____ | 48" [122 cm] |
| CYLINDER ROD | _____ | 4" [10.16 cm] |
| MOTOR | _____ | 20 HP (208/230/460V-3 PHASE) [14.91 Kw] |
| PUMP | _____ | 15 GPM [56.78 L/m] |
| SHIP WEIGHT | _____ | 7,865 LBS [3,568 Kg] |

BP 4-7-11
SHT 2 OF 2

TITLE: 7200HD BALER SPECIFICATION

DWG. NO: AB404934