

PTR BALER & COMPACTOR

VERT SURVEY FORM

POWER AVAILABLE AT SITE:
THREE PHASE
208V 230V 480V

Removal Required(circle one): Y / N

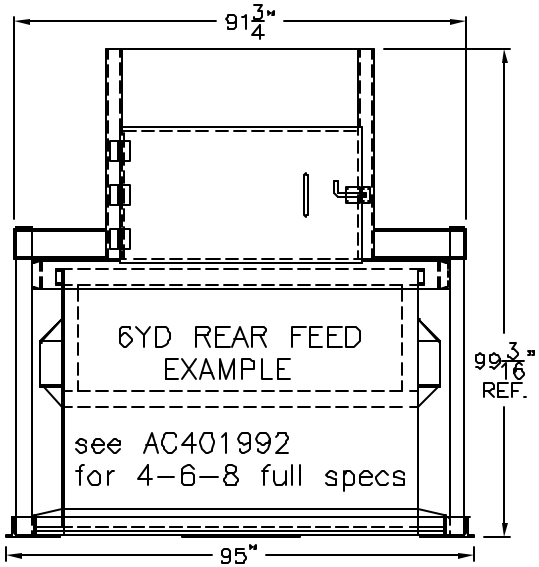
WALK UP OR THROUGH THE WALL (circle one):

SURVEYOR _____

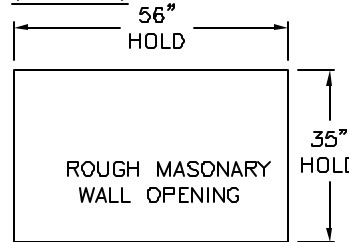
DATE _____

STORE LOCATION (city, state): _____

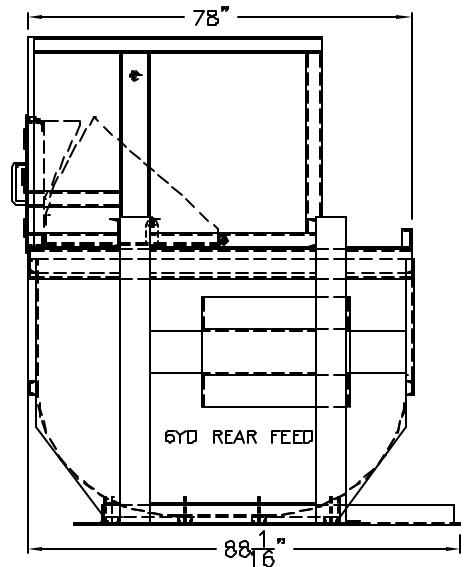
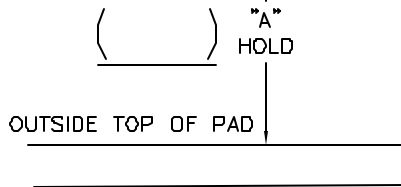
STORE CONTACT AND PHONE NUMBER: _____



IF SITE HAS THROUGH THE WALL FEED:



VERIFY WALL OPENING DIMENSIONS:
REF AC402155-4 IF AVAILABLE



SKETCH BOX:

DRAW THE DIMENSIONS OF THE CONCRETE PAD: NOTE WHERE THE COMPACTOR WILL BE LOCATED, SHOW WALL OPENING AND ITS DIMENSIONS FROM ALL NEIGHBORING WALLS, SHOW ANY OBSTACLES OR ANYTHING WHICH MAY GET IN THE WAY OF PULLING THE CONTAINER.

SELECT FEED SIDE (circle one):

REAR
LEFT RIGHT
FRONT
HAULER TRUCK

IS THE PAD LEVEL? (Y / N)

IS THE PAD CROWNED OR DISHED?.

(Y / N)

IS THE TRUCK APPROACH SLOPED (Y / N) IF SO DRAW PAD AND TRUCK APPROACH WITH SLOPES

LIST ANY DEFECTS OR POSSIBLE PROBLEMS WITH THE CONCRETE PAD OR THE SURROUNDING AREA.

TITLE:

VERT SURVEY SHEET

DWG. NO: AC402868