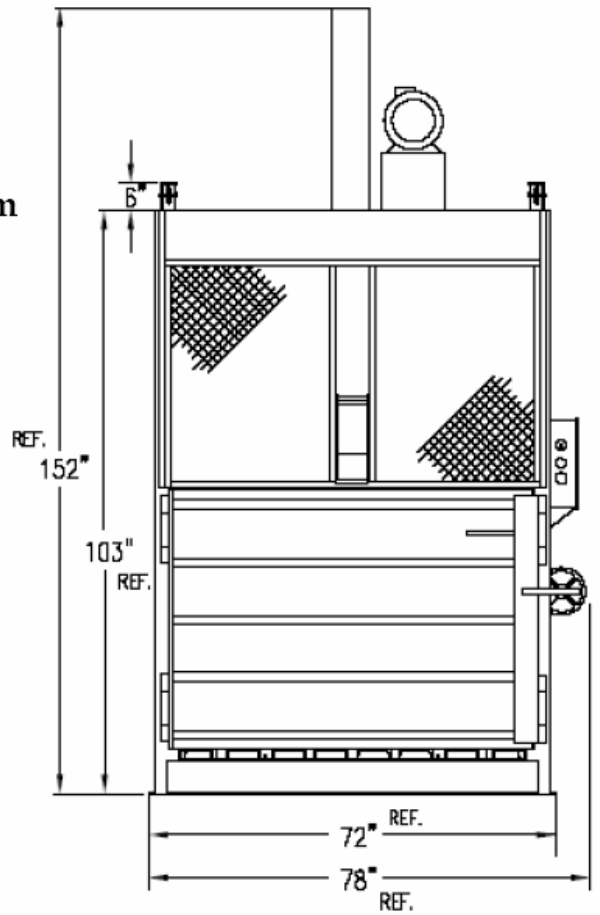
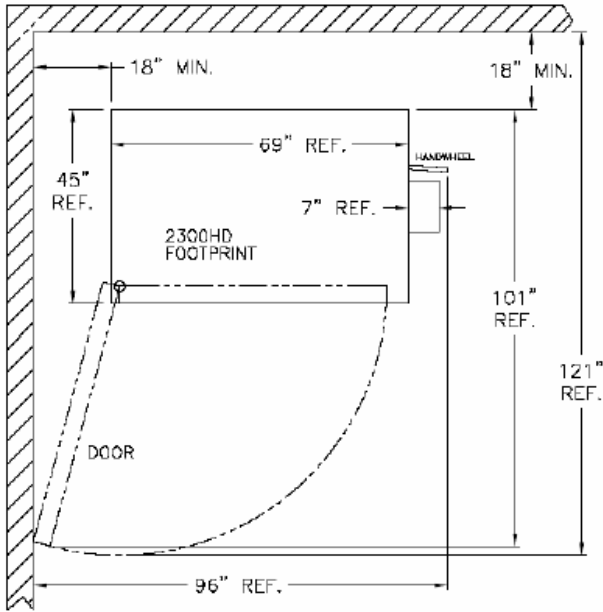


Surveyor \_\_\_\_\_

Date \_\_\_\_\_

**Subject: Survey Form**



Store Location:

Address \_\_\_\_\_

City, State, Zip \_\_\_\_\_

Store Phone Number \_\_\_\_\_

Delivery Week Needed \_\_\_\_\_

Site Contact \_\_\_\_\_

Phone (Contact / Site) \_\_\_\_\_

Door Hinge (Left / Right) \_\_\_\_\_

Voltage (3 Phase) \_\_\_\_\_

Color: Green

Removal Required (Yes / No) \_\_\_\_\_

Floor Over a Basement (Yes/ No) \_\_\_\_\_

Ceiling Height \_\_\_\_\_

Installation Door Size \_\_\_\_\_

**Bale Storage (Quantity Inside/Outside)** \_\_\_\_\_

**Obstacles (Steps, Grade Change)** \_\_\_\_\_

**Problems** \_\_\_\_\_

Fax Information Back to:

Eric C. Riethmiller

Fax (215) 533-8907

Email: [Eriethmiller@ptrco.com](mailto:Eriethmiller@ptrco.com)