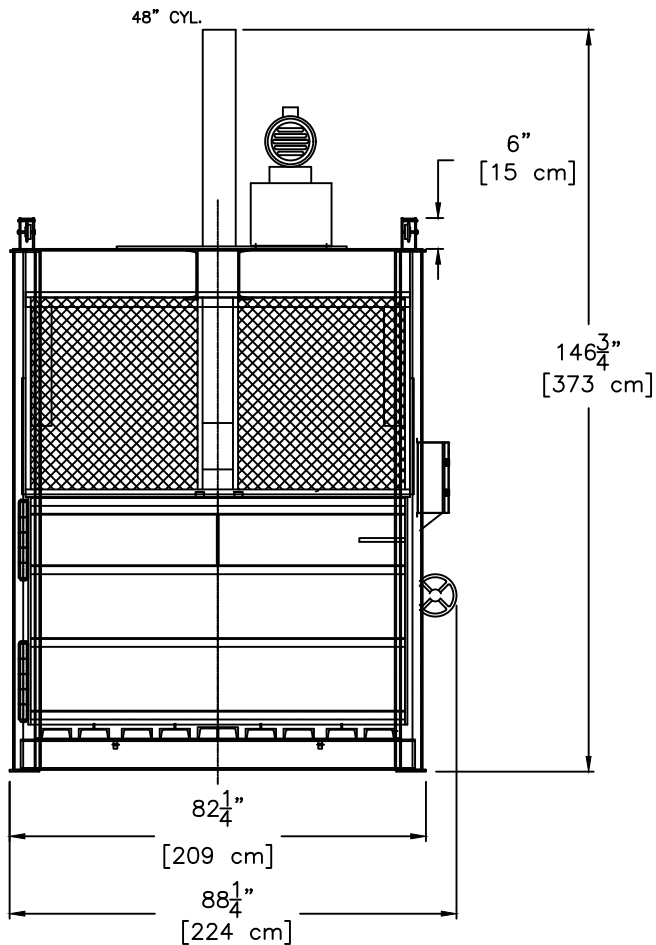
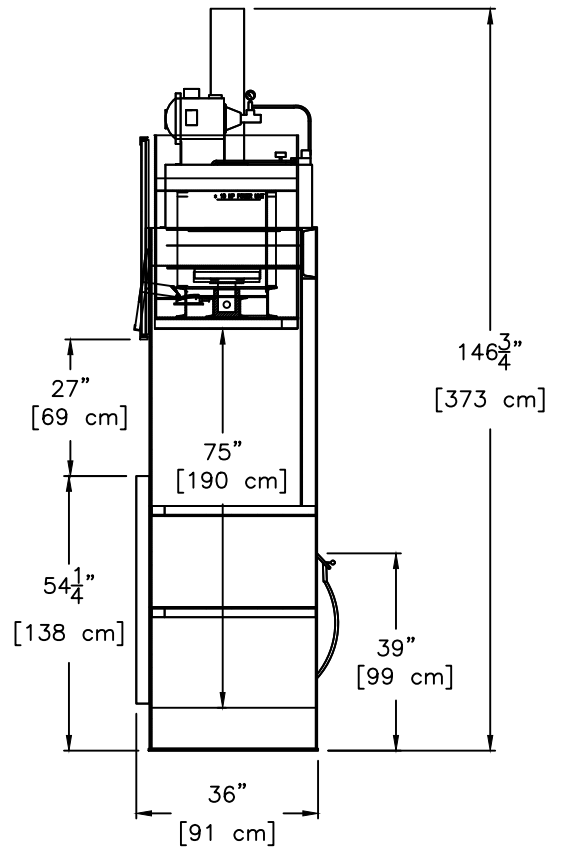


PTR BALER & COMPACTOR



FRONT VIEW



CONTROL BOX
SCALE = 2X

ALL DIMENSION AND SPECIFICATIONS ARE FOR REFERENCE ONLY, ACTUAL DIMENSIONS AND PERFORMANCE CHARACTERISTICS MAY VARY.

SPECIFICATIONS

BALE WEIGHT	_____	1,100 - 1,400 LBS OCC [499- 635 Kg]
BALE SIZE	_____	72" WIDE X 30" DEEP X 48" TALL [152 X 75 X 122 cm]
FEED OPENING	_____	72" X 27" [183 X 122 cm]
PLATEN FORCE		
WORKING	_____	56,549 LBS [251,543 N]
RELIEF	_____	65,031 LBS [289,272 N]
SYSTEM PRESSURE		
WORKING	_____	2,000 PSI [13,790 KPa]
RELIEF	_____	2,300 PSI [15,858 KPa]
RAM PRESSURE		
NOM	_____	26.5 PSI [183 KPa]
MAX	_____	30.5 PSI [210 KPa]
AVERAGE CYCLE TIME	_____	56 SEC.
CYLINDER BORE	_____	6" [15.24 cm]
CYLINDER STROKE	_____	48" [122 cm]
CYLINDER ROD	_____	3 1/2" [8.9 cm]
MOTOR	_____	10 HP (208/230/460V-3 PHASE) [7.45 Kw]
PUMP	_____	10.5 GPM [39.75 L/m]
SHIP WEIGHT	_____	5,870 LBS [2,585 Kg]