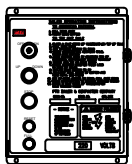
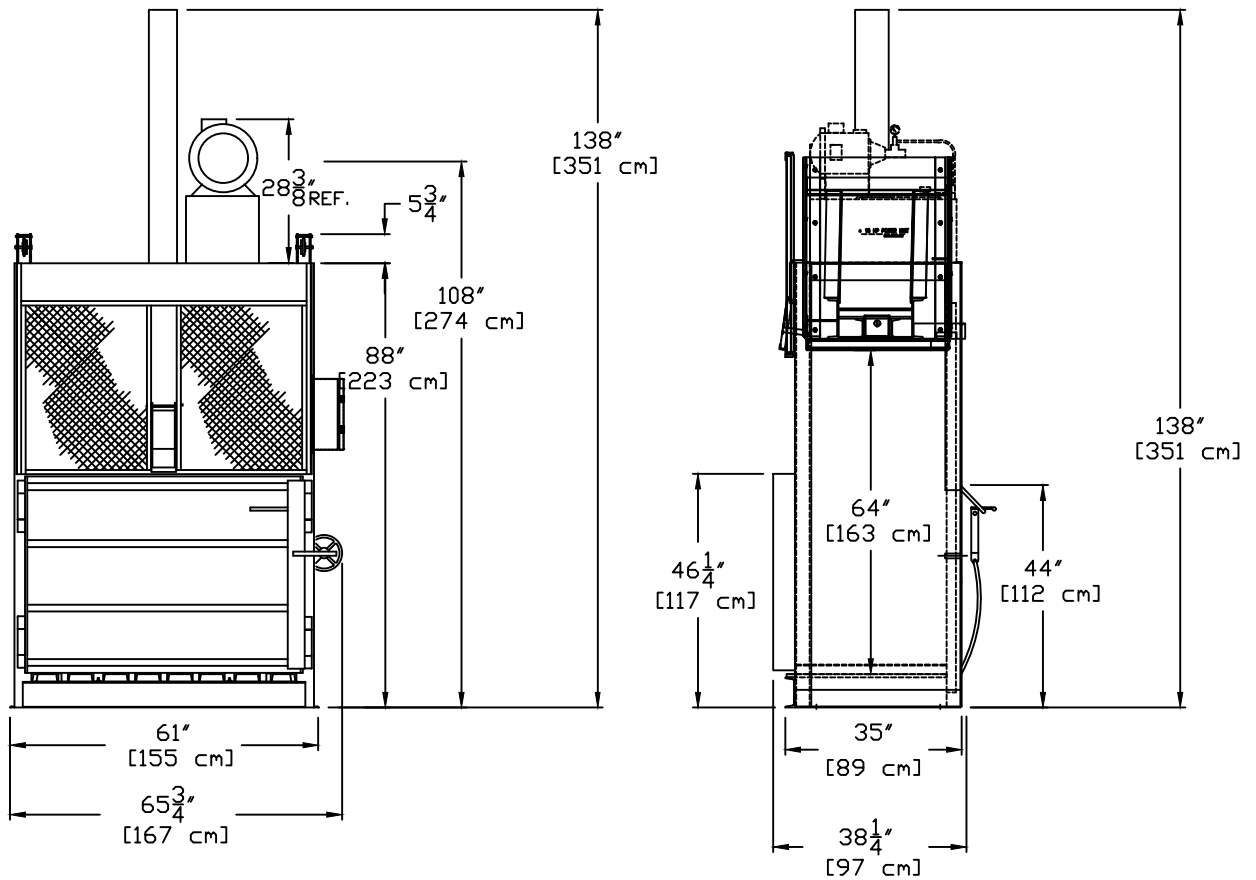


PTR BALER & COMPACTOR



CONTROL BOX
SCALE = 2X

ALL DIMENSION AND SPECIFICATIONS ARE FOR REFERENCE ONLY, ACTUAL DIMENSIONS AND PERFORMANCE CHARACTERISTICS MAY VARY.

SPECIFICATIONS

BALE WEIGHT	_____	400 - 600 LBS OCC [181- 272 Kg]
BALE SIZE	_____	48" WIDE X 30" DEEP X 36" TALL [122 X 76 X 91 cm]
FEED OPENING	_____	51" X 27" [130 X 69 cm]
PLATEN FORCE		
WORKING	_____	48,057 LBS [213,768 N]
RELIEF	_____	56,538 LBS [251,494 N]
SYSTEM PRESSURE		
WORKING	_____	1,700 PSI [11,721 KPa]
RELIEF	_____	2,000 PSI [13,790 KPa]
RAM PRESSURE		
NOM	_____	35.0 PSI [241 KPa]
MAX	_____	41.2 PSI [284 KPa]
AVERAGE CYCLE TIME	_____	56 SEC.
CYLINDER BORE	_____	6" [15.24 cm]
CYLINDER STROKE	_____	48" [122 cm]
CYLINDER ROD	_____	3 1/2" [8.9 cm]
MOTOR	_____	10 HP (208/230/460V-3 PHASE) [7.45 Kw]
PUMP	_____	10.5 GPM [39.75 L/m]
SHIP WEIGHT	_____	3,500 LBS [1,588 Kg]

SH1 2 OF 2

BP 6-10-11

TITLE: 1800HD BALER SPECIFICATION

DWG. NO: AB401982R3