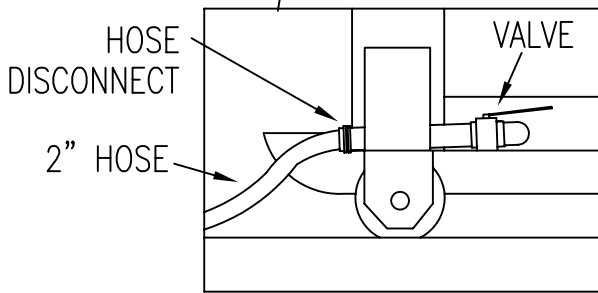
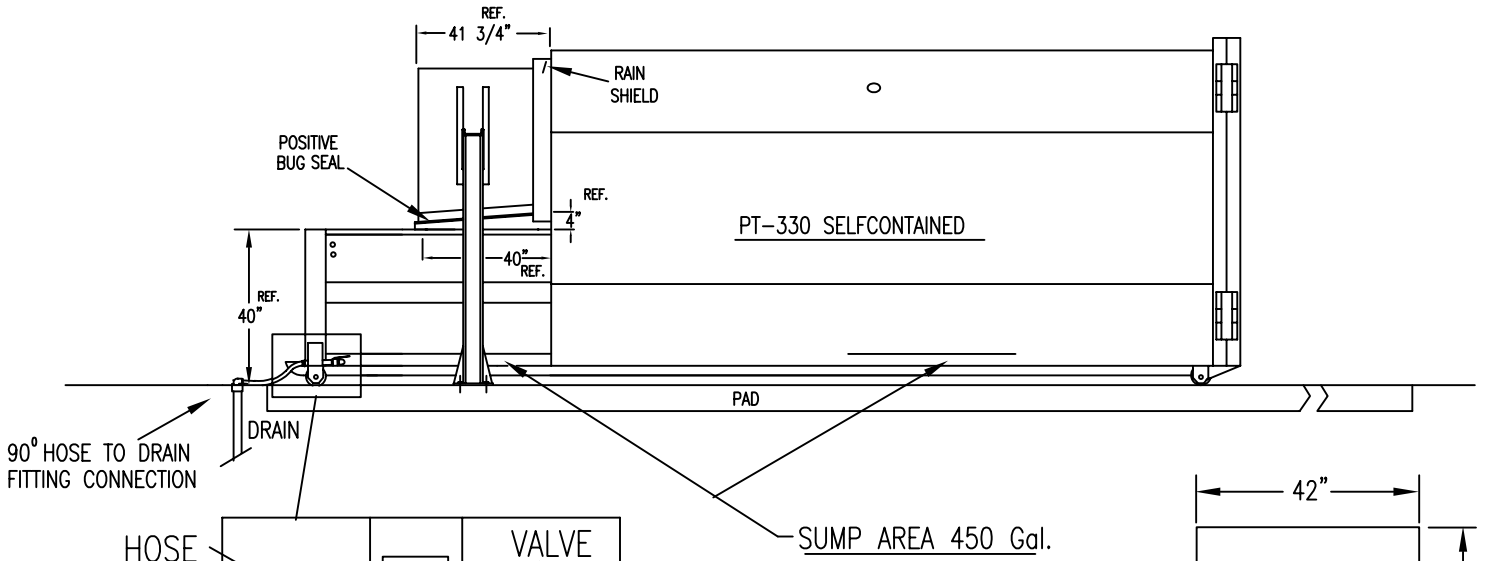
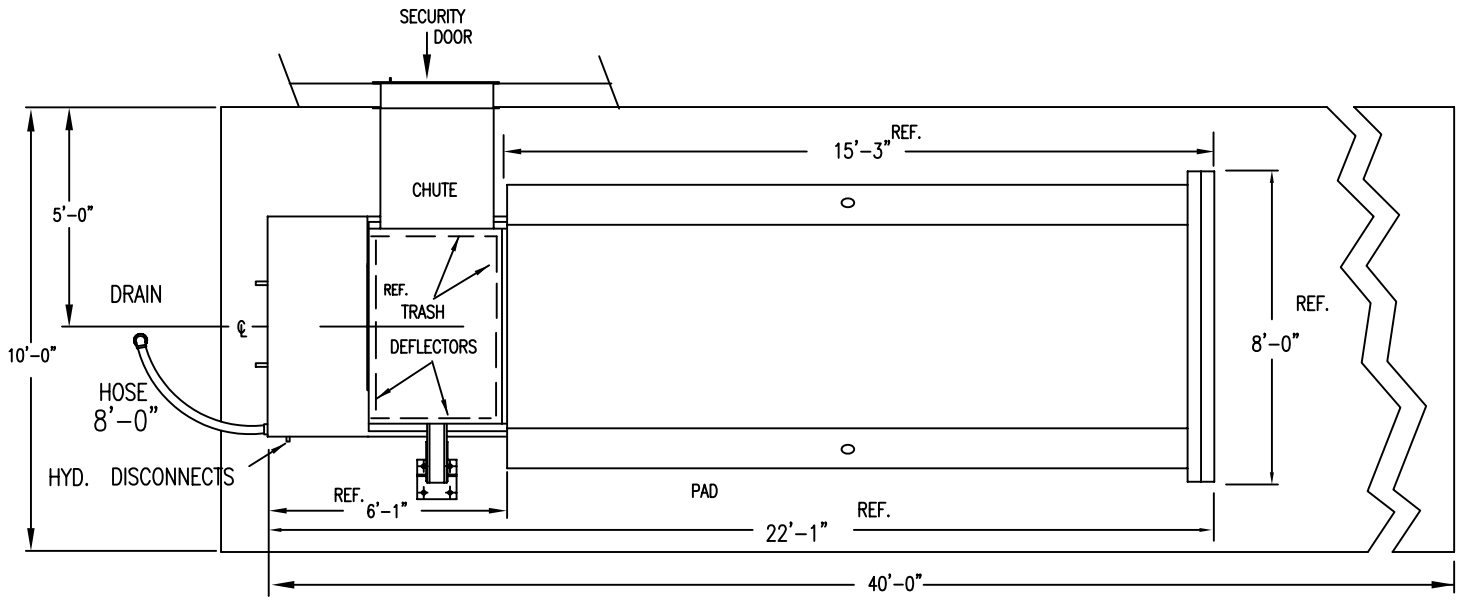
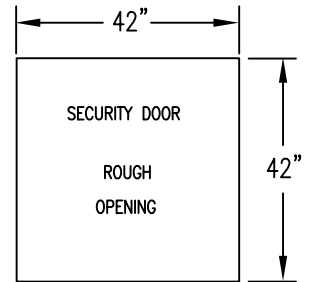


# PTR BALER & COMPACTOR



NOTE :  
SUMP FITTING FOR VALVE  
ON BOTH SIDES OF COMPACTOR  
BODY TO ALLOW FIELD SWITCHING  
OF VALVE HOSE SETUP



48"

INSIDE FLOOR

OPTIONS SHOWN :

1. SUMP DRAIN SYSTEM
2. RAIN SHIELD
3. DOGHOUSE BUG SEAL
4. MODEL PT-330 ( LOW FEED HIGHT )
5. LEFT SIDE FEED CHUTE DOGHOUSE
6. TRASH DEFLECTORS

PAD = 3000 CONCRETE 6" THICK WITH MIN. 12 GAUGE SCREEN REINFORCEMENT

6/16/03