

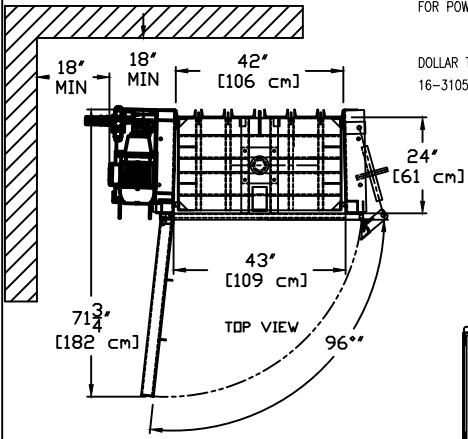
TITLE: 420HD SIDE MOUNT POWER UNIT BALER

DWG. NO: AB407847R2

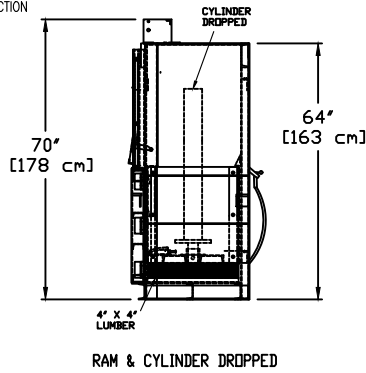
USE 2 TWIN CLAMPS 3/8 #605472
 TO SECURE HYD. HOSES ON REAR
 PANEL AND 2 SINGLE CLAMP 1/2 #605864
 FOR SEALTITE SECUREMENT
 USE 2 SWIVEL 90 FITTINGS #601797
 FOR POWER UNIT TO HOSE CONNECTION

SPECIFICATIONS

BALE WEIGHT	200 - 400 LBS OCC	[90 - 180 Kg]
BALE SIZE	42" WIDE X 24" DEEP X 30" TALL	[107 X 61 X 76 cm]
FEED OPENING	42" X 18 3/4"	[107 X 48 cm]
PLATEN FORCE		
WORKING	20,100 LBS	[89,400 N]
RELIEF	23,870 LBS	[106,179 N]
SYSTEM PRESSURE		
WORKING	1,600 PSI	[11,000 KPa]
RELIEF	1,900 PSI	[13,100 KPa]
RAM PRESSURE		
NOM	19.7 PSI	[136 KPa]
MAX	23.4 PSI	[161 KPa]
AVERAGE CYCLE TIME	53 SEC.	
CYLINDER BORE	4"	[10 cm]
CYLINDER STROKE	32"	[81 cm]
CYLINDER ROD	2 1/2"	[6 cm]
MOTOR	3 HP (208/230/460V-3 PHASE)	[2.2 Kw]
PUMP	3.2 GPM	[12.1 L/m]
SHIP WEIGHT	1440 LBS	[650 Kg]



DOLLAR TREE #5191
16-3105



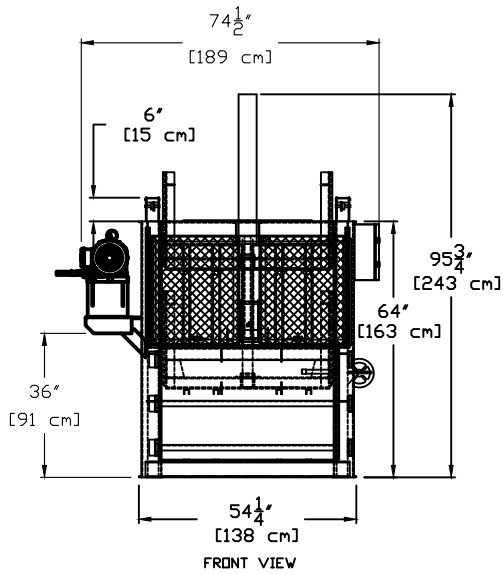
CONTROL BOX
SCALE = 2X

SPECIAL SIZE HYD. HOSE
 607272 3/8 JIC 75'LG, (1)
 607271 3/8 JIC 56'LG, (1)

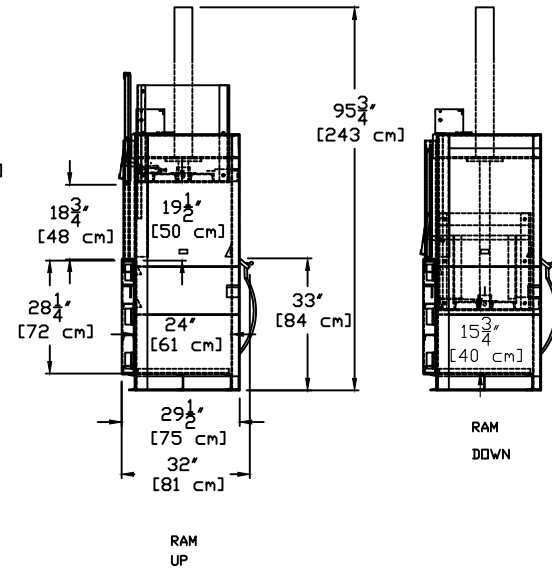
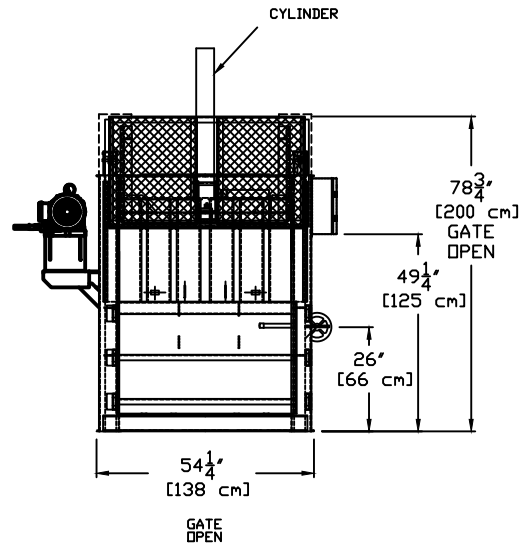
LOWER CYLINDER FOR INSTALL TO
FIT IN ELEVATOR

ALL DIMENSION ARE FOR REFERENCE ONLY,
ACTUAL DIMENSION MAY VARY.

ALL DIMENSION ARE FOR REFERENCE ONLY,
ACTUAL DIMENSION MAY VARY.



BP 11/23/16



PTR BALER & COMPACTOR