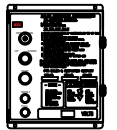
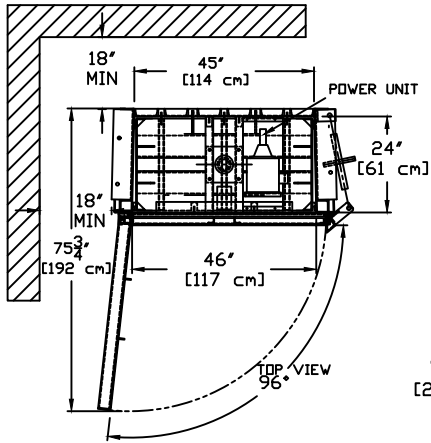


TITLE:

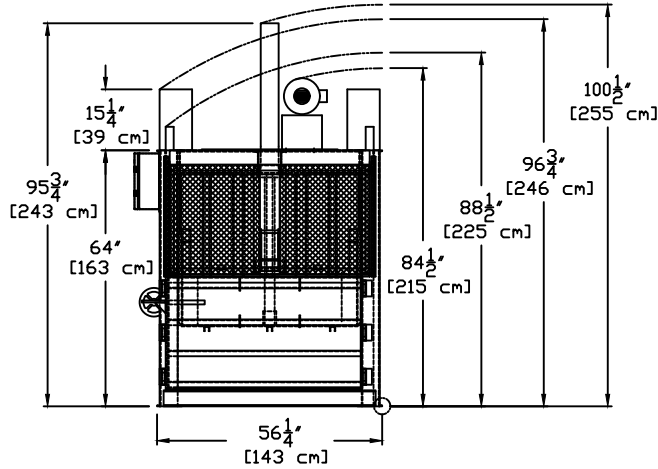
460 BALER

DWG. N04B404614R2

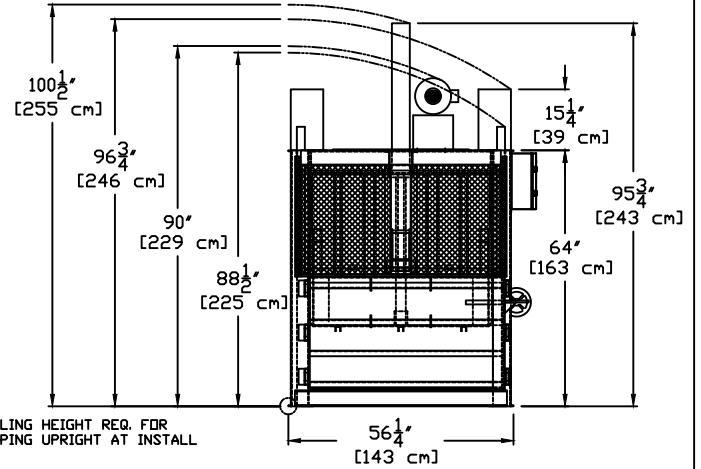
PTR BALER & COMPACTOR



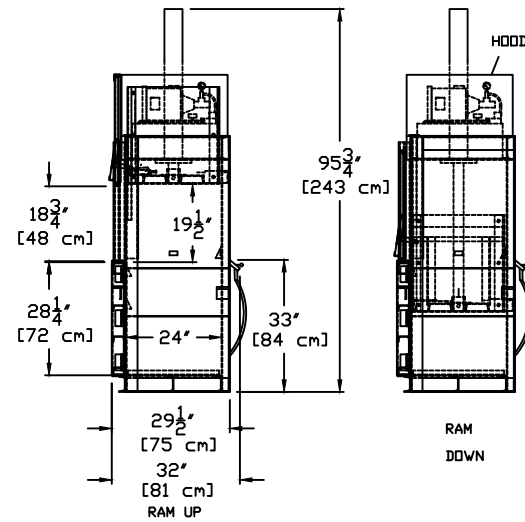
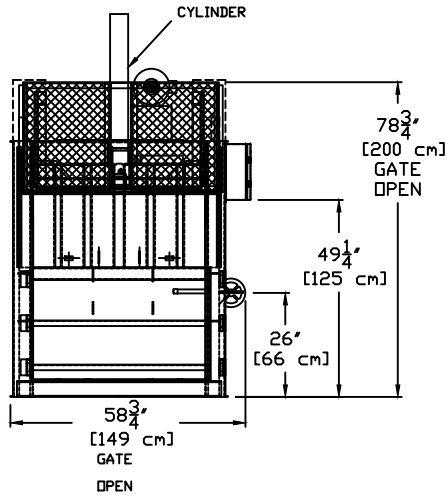
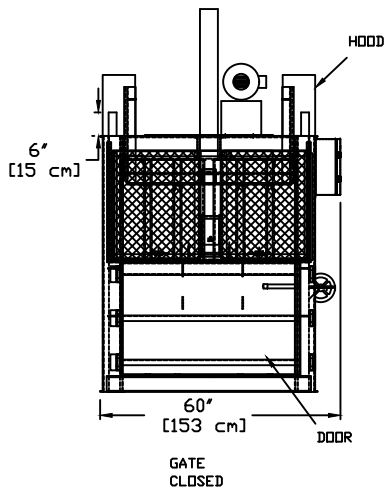
CONTROL BOX
SCALE = 2X



CEILING HEIGHT REQ. FOR
TIPPING UPRIGHT AT INSTALL



ALL DIMENSION ARE FOR REFERENCE ONLY,
ACTUAL DIMENSION MAY VARY.



ALL DIMENSION ARE FOR REFERENCE ONLY,
ACTUAL DIMENSION MAY VARY.
SHT 1 OF 2

BP 4-5-11