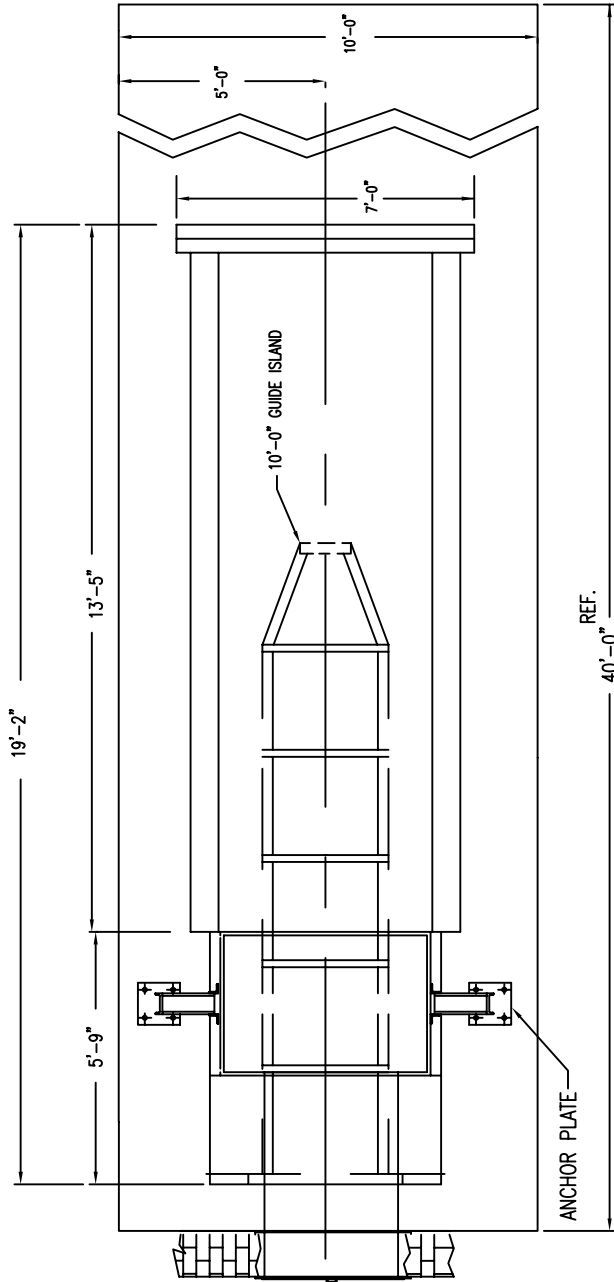
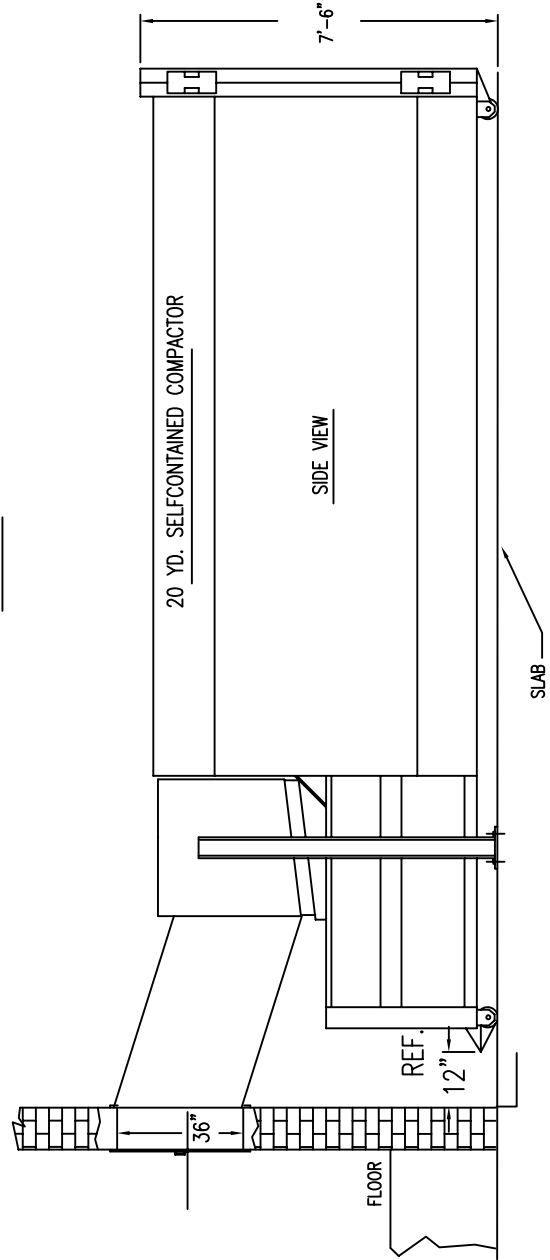


PTR BALER & COMPACTOR



TOP VIEW



SIDE VIEW

